

# Dixie-Narco®



Lawrence Street  
Ranson, West Virginia 25438

(304) 725-3481  
(800) 624-0553

## Service Bulletin # TE: April 14, 1977

MODEL: All Serpentine

All Serpentine With Serial Number Less Than 1880\_\_.

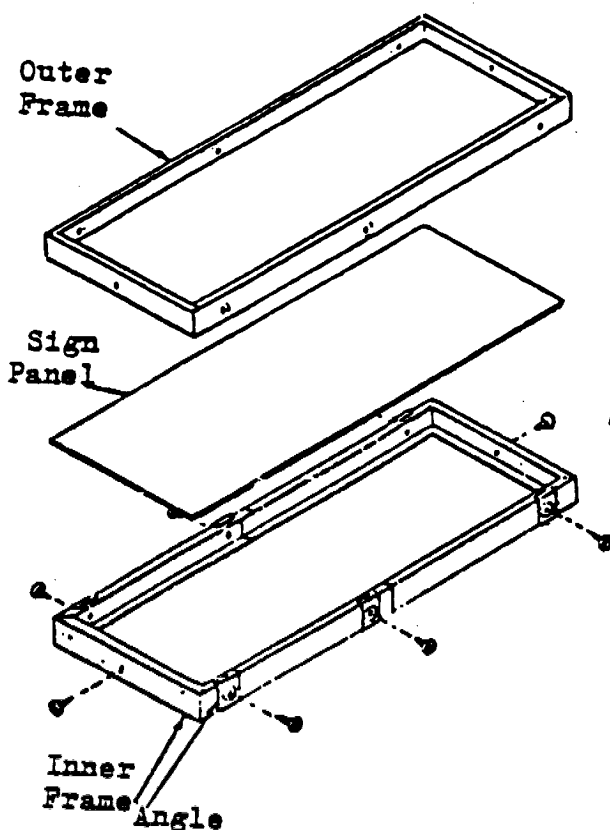
Note: This Bulletin does not apply to any vender on which the Sign Panel is "Flush Mounted" within the trim.

**SUBJECT:** Installation Instructions - Sign Panel Replacement.

**REASON:** To provide an angle which permits the installation of the current sign panel.

**KIT CONSISTS OF:** 6 A164,010,150.03 Adaptor Angle, per sign face.

### DO THIS:



1. Remove sign frame from vender. Disassemble frame and remove original sign panel.
2. Tape 6 angles in place on inner frame, aligning hole in angle with hole in frame. Short flange of angle should rest on top of frame as pictured.
3. Set replacement panel on inner frame, nesting between edges of angles at top and bottom, and flush with outside of frame at ends.
4. Set outer frame in place and reassemble with original screws. Install sign in vender.

Service Department  
Dixie-Narco, Inc.